

# ALPHA700P PVD COATING SYSTEM

The Power Player,  
setting new standards



# ALPHA700P PVD COATING SYSTEM

## THE NEW POWER PLAYER

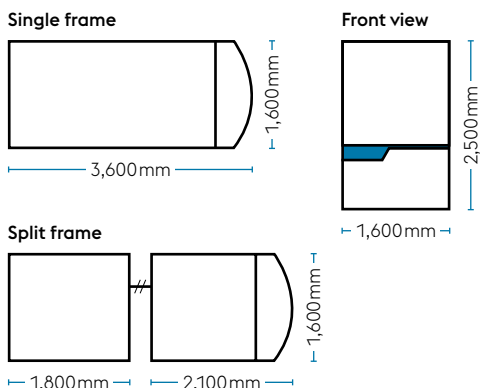
Get highest quality coatings within an environment of maximum productivity and efficiency. The alpha700P is compact on the outside, but extra large on the inside. In its large chamber you can produce coatings with the latest ARC technology stunningly fast.

### MAIN COATINGS

- » CROSAL®-plus      » TiN
- » EXXTRAL®-plus    » VARIANTIC®
- » SISTRAL®          » ZrN
- » SUBLIME®         » Duplex coatings
- » TIGRAL             » Ultrafine coatings

### NEW DESIGN, MORE FLEXIBILITY

- » Space saving design with 1.6 × 3.6 m footprint (single frame)
- » Splittable into two frames
- » May be positioned against a wall with backside, as maintenance is executed from sides and front only
- » Smaller footprint in comparison to traditional design



## MAIN BENEFITS

- » Fast cooling system
- » Vacuum chamber with 950 l volume
- » Target shutter system to avoid target contamination
- » Dual evaporators for maximum flexibility
- » Smooth and dense ultrafine coatings
- » Duplex PVD coatings: In-situ nitriding and coating process in a single pass

## TECHNICAL DATA

Usable volume	Ø 600 mm × 700 mm
Load	max. 850 kg
Coating chamber (L × W × H)	975 × 850 × 1,150 mm
Dead weight Single frame	5,400 kg
Dead weight Split frame	3,800 kg (front section) 1,600 kg (back section)
Distributed load	1,250 kg per sqm
Bias	30 kW / max. 1,000 V DC / pulsed DC
ARC evaporators	16 pieces with each max. 125 A
Batches per day	typically 3 - 4 batches
Exemplary batch Endmills (Ø 10 × 70 mm)	900 pcs. per batch
Exemplary batch Hobs (Ø 100 × 150 mm)	30 pcs. per batch



voestalpine eifeler Vacotec GmbH

Hansaallee 321

40549 Düsseldorf, Germany

T. +49 211 522-2440

F. +49 211 522-2480

www.eifeler-vacotec.com

voestalpine

ONE STEP AHEAD.